

10kW Diesel Generator Set

Powered by Perkins 403D-11G



Engine brand	Perkins
Engine model	403D-11G
Alternator Brand	STAMFORD
Alternator Model	PI044E
Control System	SmartGen, DEEP SEA, ComAp
Frequency / Phase	60Hz
Fuel Tank Capacity (L)	8 hours
Standard Package	Plywood
Size (MM)	1800×900×1400
Weight (KG)	600

- Every generator set is subjected to a comprehensive test program which includes 50% load, 75% load, 100% load, 110% load and the checking and proving of all control and safety shut-down functions;
- 12V DC start motor;
- Equipped 12V high performance maintenance-free lead-acid starting batteries and connecting with cables;
- Equipped with industrial silencer and flexible exhaust hose;
- Designed to Comply with ISO8528/GB2820;
- Powered by Perkins engine, Stamford alternator and Smartgen control panel

Notes:

*Prime Power Continuous duty operation, under variable load 24/24h-10% over load permissible 1 hour/12 hours;

**Standby Power Standby duty, operation under variable load, without over load;

Standard Reference Conditions Note: Standard reference conditions 25°C (77°F) Air Inlet Temp, 100m(328 ft) A.S.L. 30% relative humidity.

Engine

Engine Model	403D-11G
Engine Manufacturer	Perkins
Number of Cylinders	3 cylinders in line
Cycle	4 stroke
Air Intake system	Naturally
Bore × Stroke	77mm x81mm
Displacement	1.131L
Compression ratio	23:1
Prime Power/Speed	10.7kw / 1800rpm
Standby Power/Speed	11.8kw / 1800rpm
Speed Governor	Mechanical
Cooling System	Forced water cooling cycle
Steady speed droop	≤1%
Total lubrication system capacity	4.9L
Coolant capacity (engine only)	5.2L
Fuel Consumption at 100% Load	248g/kwh
Starter Motor	DC12V
Alternator	DC12V

Alternator

Alternator Model	PI044E
Max power	10KW
Frequency/speed	60HZ/1800RPM
Exciter type	Single bearing, Brushless, Self-excited
Power factor	0.8
Voltage adjust range	$\geq 5\%$
Voltage regulation NL-FL	$\leq \pm 1\%$
Insulation Grade	H
Protection Grade	IP23
Phase	Three phases

Control system

SmartGen



SmartGen HGM series controller, integrating digital, intelligent and network techniques, is used for automatic control and monitoring system of genset. It can carry out functions of automatic start/stop, data measurement, alarm protection and three "remote" (remote control, remote measure and remote communication). The controller uses LCD display, optional display interface including Chinese, English, Spanish, Russian, Portuguese, Turkey, Polish and French with easy and reliable operation.

[HGM9600 series](#), [HGM9500 series](#), [HGM9300 series](#), [HGM8000 series](#), [HGM7110 series](#), [HGM7000 series](#), [HGM6300 series](#), [HGM6100 series](#), [HGM1700 series](#), [HSC900 series](#), [HGM400 series](#) etc.

DEEP SEA

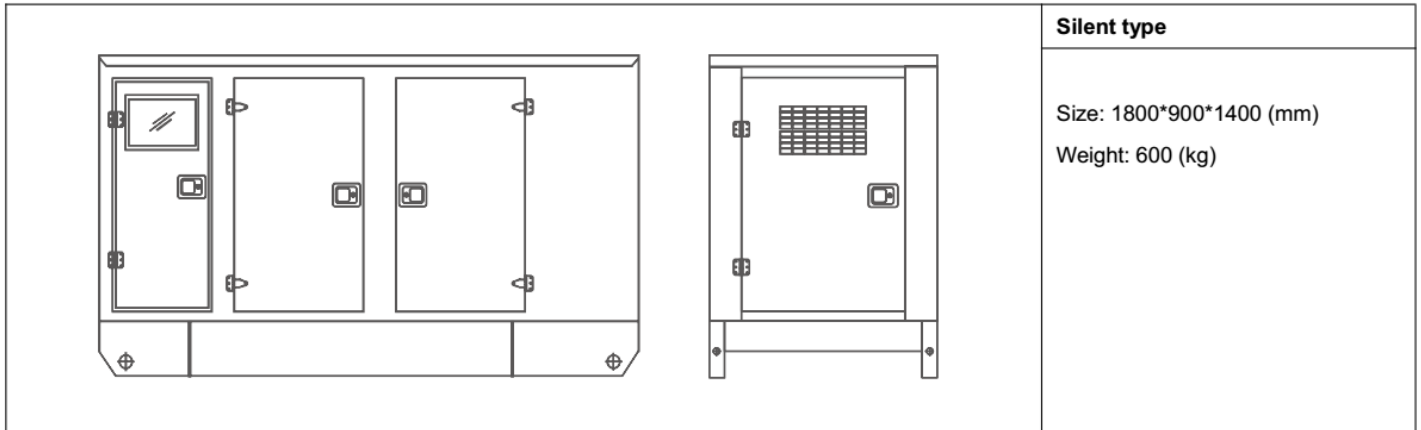


DSE Genset® is an intelligent range of single-set and multi-set generator control solutions, mains (utility) protection relays, digital automatic voltage regulators (AVR's), remote communications devices and expansion modules. Each range has been designed and manufactured by our industry leading experts to deliver a range of features and benefits that set new standards across the industry.

Manual & auto start control modules: [DSE7410 series](#), [DSE7310 series](#), [DSE7210 series](#), [DSE7110 series](#), [DSE6110 series](#), [DSE6010 series](#) etc.

Auto mains utility failure control modules: [DSE7420 series](#), [DSE7320 series](#), [DSE7220 series](#), [DSE7120 series](#), [DSE6120 series](#), [DSE6020 series](#) etc.

Silent type



Standard accessories

Standard Accessories	Open type	Silent type
Sound-proof & Weather-proof Canopy	N/A	✓
Daily base fuel tank. 8 hours capacity	N/A	✓
Single-bearing generator again drops	✓	✓
Intelligent LED display control panel	✓	✓
Speed governor	✓	✓
Electric start and 24v charger	✓	✓
Standard air filter, oil filter, fuel filter	✓	✓
Cooling water tank	✓	✓
High-efficient silencer.	✓	✓
Exhaust elbow	✓	✓
Storage battery	✓	✓
Steel base-frame against vibration	✓	✓
Soft pipe for fuel and handle for lube going-out	✓	✓
Operation& Maintenance manual.	✓	✓